

# AVIATOR LITE

## 5t & 10t Hi-Technology

### Portable Lite Aircraft Weigh Pads



Introducing the **AVIATOR LITE Series**: the pinnacle of precision and value in aircraft weighing technology. Crafted to meet the demanding standards of the aviation industry, the AVIATOR LITE Series delivers unwavering reliability and performance, all while maintaining exceptional cost-efficiency. Perfectly suited for small to medium-sized aircraft, these scales provide precise weight measurements that are crucial for both safety and operational effectiveness.

#### Key Features:

- **Exceptional Accuracy**

The AVIATOR LITE Series delivers precise weight measurements, essential for optimising aircraft performance and ensuring compliance with stringent safety regulations.

- **Robust Durability**

Constructed with high-quality materials, the AVIATOR LITE Series is built to endure the tough conditions of aviation operations, guaranteeing long-lasting reliability and consistent performance.

- **Intuitive User Interface**

Designed for ease of use, the AVIATOR LITE Series features a clear display and simple controls, minimising operator error and streamlining the weighing process.

- **Effortless Portability**

Lightweight and compact, these scales are easy to transport and set up, making them perfect for a variety of environments, from hangars to remote airfields.

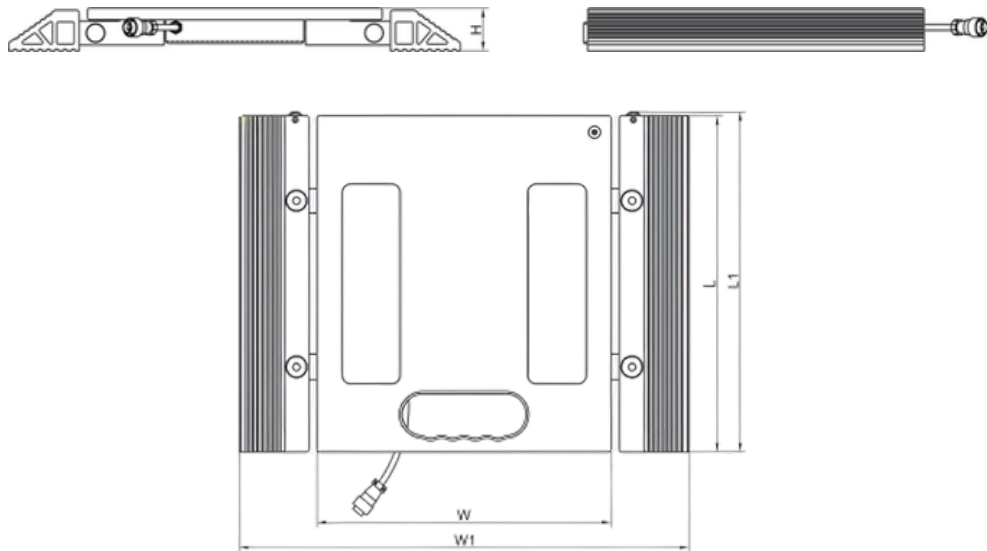
- **Cost-Effective Solution**

Offering exceptional value, the AVIATOR LITE Series provides top-tier performance and reliability at a fraction of the cost of higher-end models without compromise.

#### AVIATOR LITE Indicator:



## Outline Dimension(mm):



## Towable Transport and Storage Cart:



## TECHNICAL DATA

Model	AVIATOR LITE 05	AVIATOR LITE 10
Functional Dimension L x W	355 x 305mm	405 x 355mm
Outline Dimension	360(L) x 493(W) x 51(H)mm	410(L) x 543(W) x 51(H)mm
Weighing Capacity	2,500kg / 4,000kg / 5,000kg	5,000kg / 7,500kg / 10,000kg
Minimum Division	1kg	5kg
Weighing Accuracy	±0.1%	
Scale Weight	11kg	13kg
Working Temperature	-10 to +50°C	
Working Period	120 hours	
Connection	20m cable	
*Overall performance may be affected by graduation size, capacity and calibration parameters.		

Note: Subject to change without notice. Images are for illustration purposes only.

Global Sales & Service Agents

**TRAK BLAZE**  
MINING, RAIL, ROAD & AIRCRAFT WEIGHING SYSTEMS  
Over 95 Years of Innovation

T: +61 (0) 3 9318 9277

info@trakblaze.com

www.trakblaze.com

5 Mareno Road, Tullamarine,  
Victoria, Australia 3043

Follow us on     